

Austin

Mini

Mk1 1959-66
Mk2 1966-70
Mk3 1970 onwards
Clubman

Riley

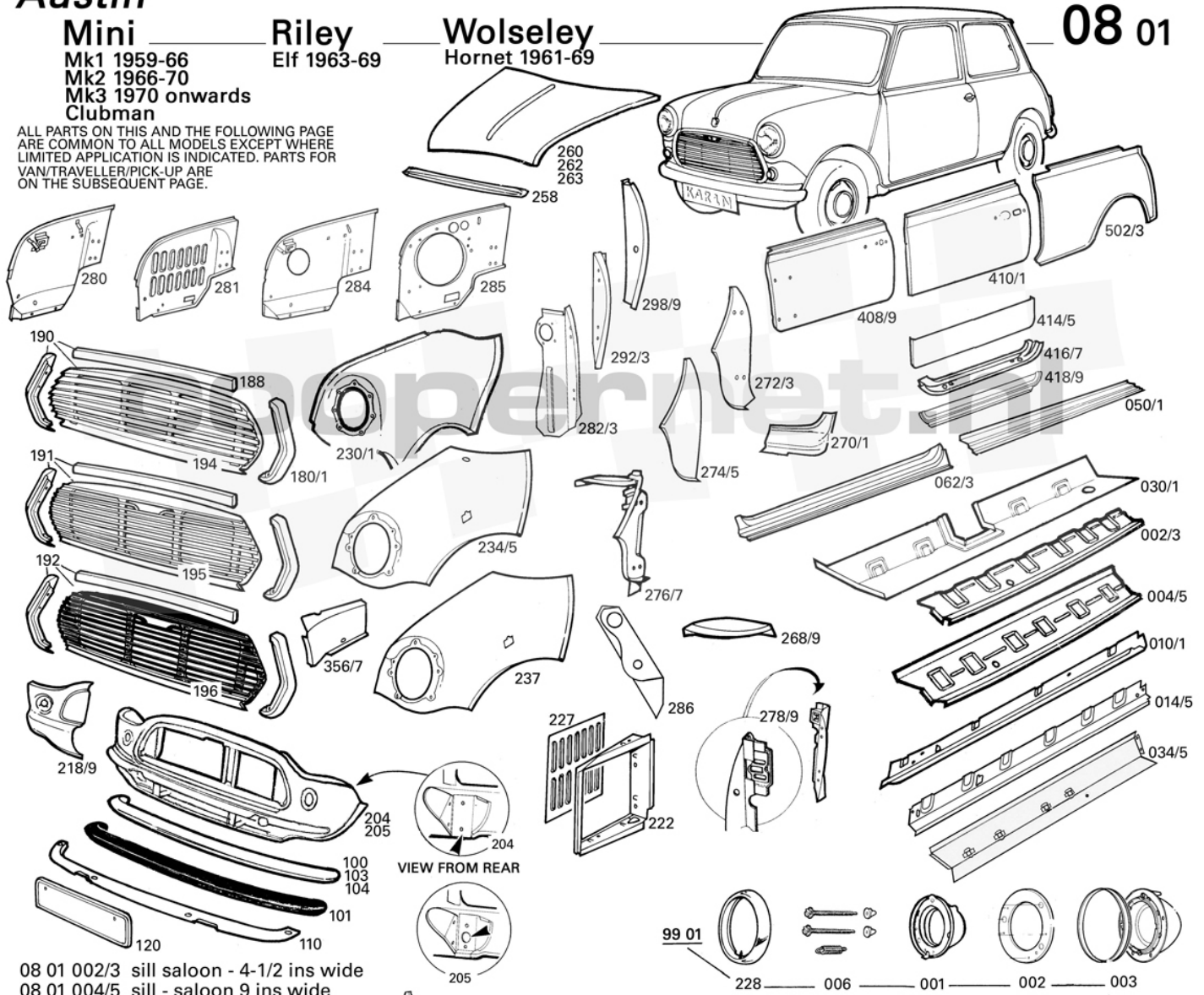
Elf 1963-69

Wolseley

Hornet 1961-69

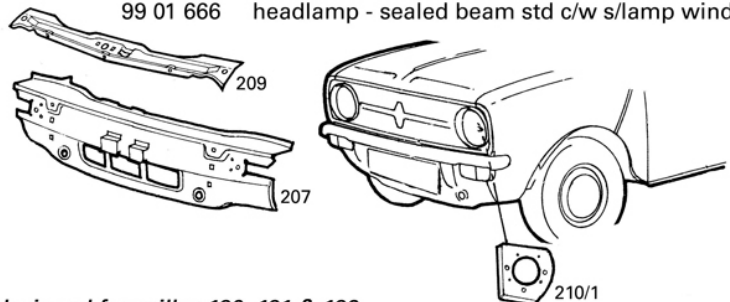
08 01

ALL PARTS ON THIS AND THE FOLLOWING PAGE ARE COMMON TO ALL MODELS EXCEPT WHERE LIMITED APPLICATION IS INDICATED. PARTS FOR VAN/TRAVELLER/PICK-UP ARE ON THE SUBSEQUENT PAGE.

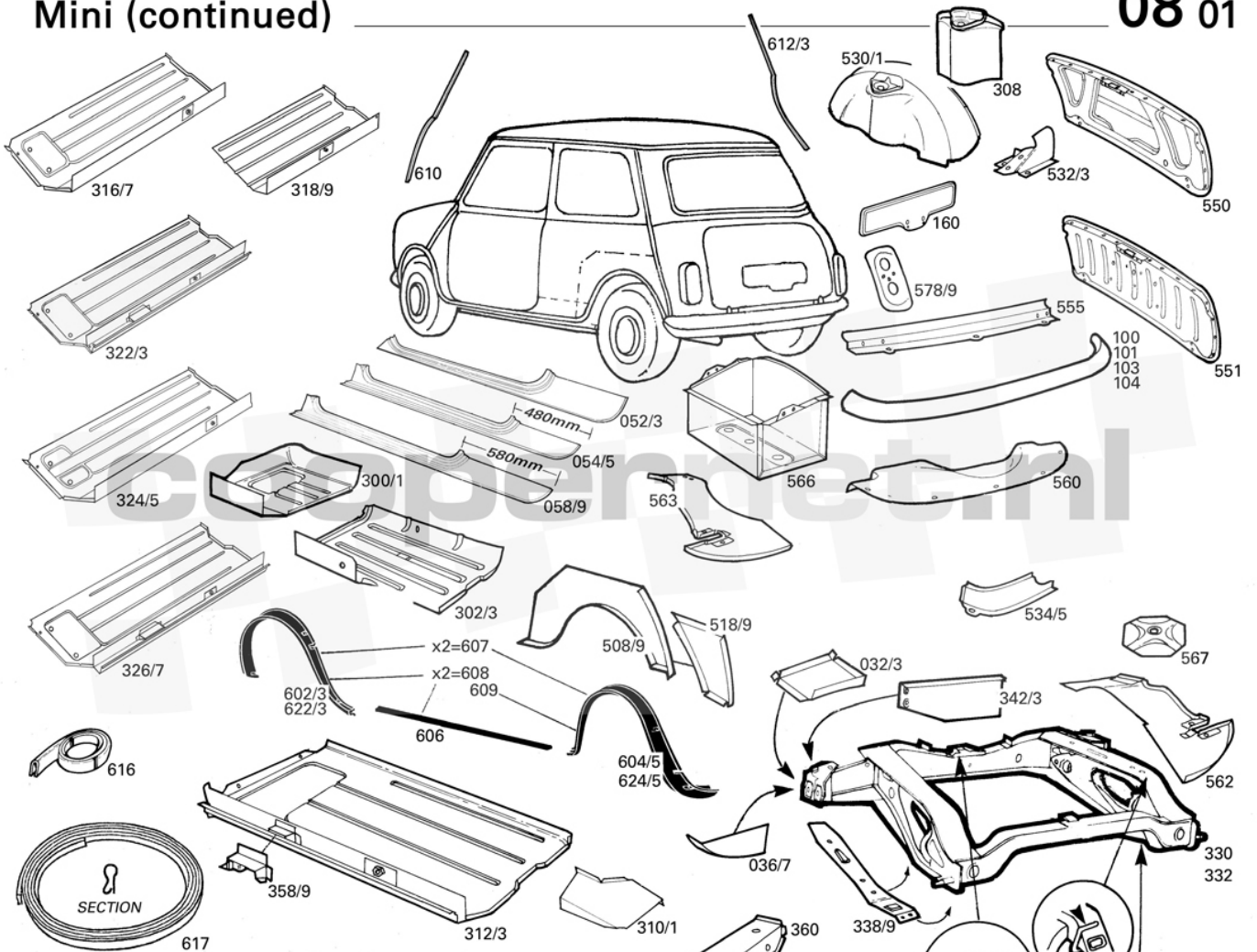


- 08 01 002/3 sill saloon - 4-1/2 ins wide
- 08 01 004/5 sill - saloon 9 ins wide
- 08 01 010/1 sill - as original Mk1/2 sal
- 08 01 014/5 sill as original 92>
- 08 01 030/1 interior sill
- 08 01 034/5 Inner sill - full length - Mk1/2/3
- 08 01 050/1 door step - plain
- 08 01 062/3 door step - shaped
- 08 01 100 bumper - chrome - front/rear
- 08 01 101 bumper - black front/rear
- 08 01 103 bumper - grey - front and rear
- 08 01 104 bumper - stainless/s - front/rear
- 08 01 110 front bumper mounting panel - Mk1/2/3
- 08 01 120 front number plate carrier - Mk1/2
- 08 01 180/1 grille end section chrome
- 08 01 188 grille top rail chrome
- 08 01 190 grille - Morris - 8 bars s/w top rail & end sections
- 08 01 191 grille - Mk2/3 chrome 11 bars o/w top rail 7 end sections
- 08 01 192 grille - black 11 bars c/w top rail & end sections
- 08 01 194 grille centre - 8 bars Cooper
- 08 01 195 grille centre - Mk2/3 chrome 11 bars
- 08 01 196 grille centre - black 11 bars Mk2/3
- * 08 01 204 front panel - complete >05/76
- * 08 01 205 front panel - complete 06/76>
- 08 01 206 full scuttle panel
- 08 01 207 front panel - Clubman
- 08 01 209 bonnet slam panel - Clubman
- 08 01 210/1 headlamp panel - Clubman
- 08 01 212/3 half scuttle panel
- 08 01 218/9 front panel corner section
- 08 01 222 radiator cowl - Mk1/2/3
- 08 01 227 inner front wing vent panel LH - Mk1/2/3
- 08 01 230/1 front wing not Clubman
- 08 01 234/5 front wing - o/w SRF 11/85> not Clubman
- 08 01 237 front wing - c/w srf w/o ant.hole LH
- 08 01 258 bonnet moulding support
- 08 01 260 bonnet
- 08 01 262 bonnet - c/w moulding supp. 70>
- 08 01 263 bonnet - 97>

- 08 01 268/9 under scuttle panel - Mk3/Club
- 08 01 270/1 scuttle repair section
- 08 01 272/3 door hinge panel - Mk1/2
- 08 01 274/5 door hinge panel - Mk3/Club
- 08 01 276/7 inner hinge panel - Mk1/2
- 08 01 278/9 inner hinge panel - c/w strap bracket Mk3/Club
- 08 01 280 half inner front wing R/H - >70 Not Clubman
- 08 01 281 half inner front wing L/H - >90
- 08 01 282/3 inner front wing - rear dege
- 08 01 286 engine stabiliser Mk1/2/3
- 08 01 292/3 inner hinge panel cover - Mk3/Club
- 08 01 298/9 door jamb panel - c/w switch hole Mk1
- 08 01 408/9 door skin Mk1/2
- 08 01 410/1 door skin - Mk2/Clubman
- 08 01 414/5 lower door skin - Mk3
- 08 01 416/7 door frames bottom Mk1/2
- 08 01 418/9 door bottom - Mk3
- 08 01 502/3 rear wing - Mk2/3/Club
- 99 01 001 headlamp bowl - standard steel
- 99 01 002 headlamp ring - 7" standard steel
- 99 01 003 headlamp bowl - plastic 7" c/w ring
- 99 01 006 headlamp bowl fitting kit
- 99 01 228 headlamp outer bezel chrome 7"
- 99 01 660 headlamp unit - round 7" diam.
- 99 01 666 headlamp - sealed beam std c/w s/lamp window



* Will fit van but designed for grilles 190, 191 & 192



- 08 01 032/3 subframe closing panel - sal
- 08 01 036/7 subframe closing segment - sal
- 08 01 052/3 step/side panel - Mk1/2 sal
- 08 01 054/5 step/side panel - Mk3/Club sal
- 08 01 058/9 step/side panel - Clubman/trav
- 08 01 100 bumper - chrome - front and rear
- 08 01 101 bumper - black - front/rear
- 08 01 103 bumper - grey - front/rear
- 08 01 104 bumper - stainless/s front/rear
- 08 01 160 rear No plate carrier - mk1/2 sal
- 08 01 300/1 front floor pan
- 08 01 302/3 rear floor pan
- 08 01 308 rear suspension cap
- 08 01 310/1 rear seat corner repair - sal
- 08 01 312/3 half floor complete - Mk1/2/3 sal
- 08 01 316/7 half floor Mk1/2/3 >92
- 08 01 318/9 rear floor full length 74-00
- 08 01 322/3 half floor assy Mk3 74-92
- 08 01 324/5 half floor inj. 92>
- 08 01 326/7 half floor assy inj. 92>
- 08 01 330 rear subframe - dry >91
- 08 01 331 rear subfram - dry c/w exhaust bracket 91>
- 08 01 332 rear subframe - wet
- 08 01 334/5 rear floor - full size - 74-00 (NPA)
- 08 01 338/9 rear subframe bottom repair plate
- 08 01 341 full subframe mount panel - sal/trav/van
- 08 01 342/3 rear subframe mount panel
- 08 01 346/7 front well - 92> (NPA)
- 08 01 358/9 jacking point assembly - sal
- 08 01 360 centre crossmember (seat) - >72
- 08 01 361 centre crossmember (seat) - 72>
- 08 01 508/9 rear wheel arch
- 08 01 518/9 rear wheel arch corner - sal
- 08 01 530/1 inner rear wheel arch
- 08 01 532/3 rear wheel arch support in boot - sal
- 08 01 534/5 lower rear corner repair - sal
- 08 01 541 rear valance - sal c/w fog lamp fitting
- 08 01 544/5 rear valance filler panel - sal
- 08 01 546 rear valance - sal
- 08 01 550 boot lid - open frame
- 08 01 551 boot lid - closed frame
- 08 01 555 boot hinge panel
- 08 01 560 boot floor rear section

- 08 01 562/3 boot floor side section
- 08 01 566 battery box
- 08 01 567 spare wheel locator - mk1 sal
- 08 01 578/9 rear lamp adptor - to fit Mk1 lamps to Mk2 or Mk3 rear wing
- 08 01 602/3 front wheel arch flare - black plastic
- 08 01 604/5 rear wheel arch flare - black plastic
- 08 01 606 wheel arch connector - black plastic
- 08 01 607 wheel arch kit - black plastic (4 pieces)
- 08 01 608 wheel arch kit - black plastic (6 pieces)
- 08 01 609 wheel arch kit - grey plastic (4 pieces)
- 08 01 610 front vertical seam cover strip
- 08 01 612/3 rear vertical seam cover strip
- 08 01 616 side trim - standard chrome with arch kit
- 08 01 617 side trim - de-luxe chrome
- 08 01 622/3 front wheel arch flare - grey plastic
- 08 01 624/5 rear wheel arch flare - grey plastic
- 08 01 644/5 rear lens - amber/red 70-79
- 08 01 676/7 rear lamp complete with reversing lamp - 80>
- 08 01 680/1 rear lower lens - clear 80>
- 08 01 682/3 rear upper lens - amber/red 80>
- 08 01 730 radiator - all models

NPA = no picture available

